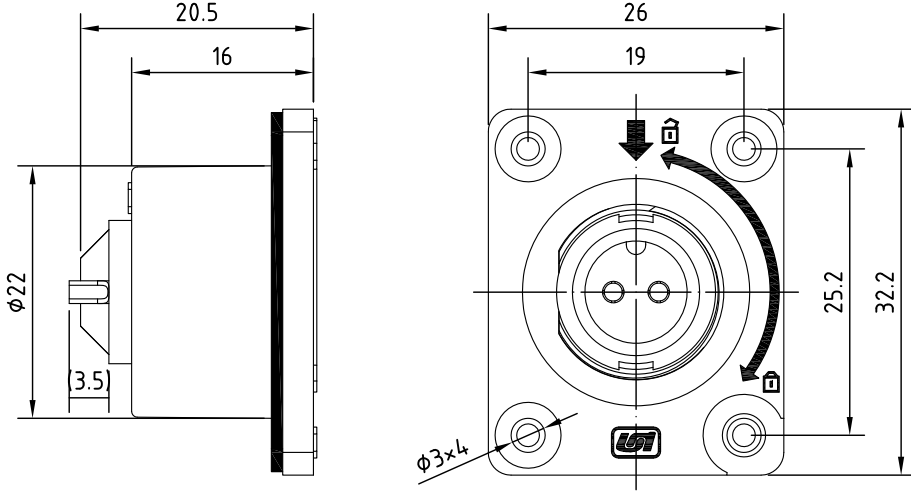


REV.	Description	Date
1	was $\phi 3 \times 2$ is $\phi 3 \times 4$	2020/5/19

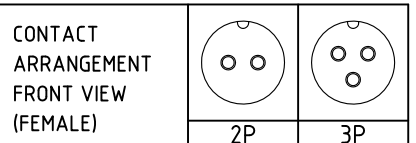


Specification of connector

- Locking system : Twist Lock
- Termination : solder
- Shell protection : IP68
- Rated voltage : 250V
- Rated current : 10A
- Contact resistance : $\leq 10\text{m}\Omega$
- Insulation resistance : $\geq 10\text{M}\Omega$

RoHS
TOLERANCE X \pm 0.5 .X \pm 0.3

4	Pad	Rubber
3	Pin	Brass/Gold plated
2	Body	PA
1	Cover	PA
Item	Description	Material&Plating



 **Unicable Co., Ltd. 國陽電業有限公司**
 5F., No. 111-33, Sec. 4, San Ho Road., San Chung Dist., New Taipei City, Taiwan
<http://www.unicable.com.tw> Tel:+886-2-2286-2122 Fax:+886-2-2286-1010

DATE	2020/5/19	PART NO.	UT-SD210M3S-XP
DWN	GINA	REV.	1
CHK			
UNIT	MM		

ITEM	Sensor Connector M15.5
------	------------------------